



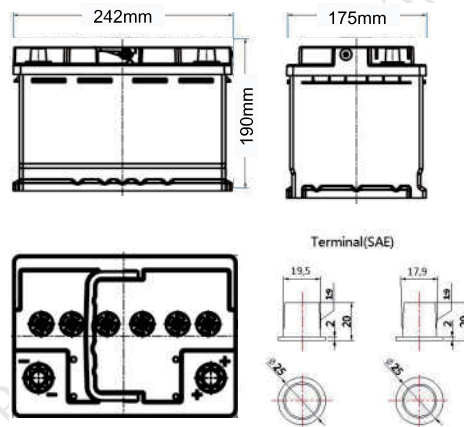
非凡电源
REMARKABLE ENERGY

SPACEFLIGHT POWER SUPPLY CO., LTD. AGM60 12V60Ah (6-QTF-60)

QTF series AGM start-stop battery is designed specifically to deliver exceptional performance for high demanding start-stop vehicles. With an enhanced cycle life, AGM start-stop battery not only offers exceptional start-stop performance, but also copes with the increased power demand equipments. It's an ideal option for cars, SUVs, caravans and vehicles with start-stop technology and large power demand equipments.



Dimensions



General Features

- Non-spillable construction
- Sealed and Maintenance-free
- Deep cycle technology: can be used as a supply and starter battery
- 3 times cycle life compared to conventional battery
- Wider temperature range for application: -30°C-70°C
- 99.997% purity lead material: low internal resistance and low self-discharge

Compliant Standards

- EN 50342
- GB/T5008.1-2013
- JB/T 12666
- ISO45001,ISO9001 and ISO14001 certified production facilities

Specifications

Nominal Voltage	12V
20Hr Capacity @25°C(77°F)	60Ah
Reserve Capacity (25A)	100min
CCA(EN)	660A
Weight	18.2kg
Dimension	242×175×190mm
Operating Temperature	-30°C~70°C
Acceptable Charging Current	15.0A
Charging Voltage @25°C(77°F)	14.4V~15.0V
Self-Discharge @25°C(77°F)	≤3% per month
Case Material	Reinforced PP
Terminal	SAE

Factory address: Fukang Industrial Zone, Longnan, Ganzhou, Jiangxi Province, China.
Shenzhen Office: RM208-210, Building D, Tongju industrial Park, No.4, Longping West Road, Longgang District, Shenzhen.
TEL: +86-755-28288189

sales@sfbattery.com

www.sfbattery.com