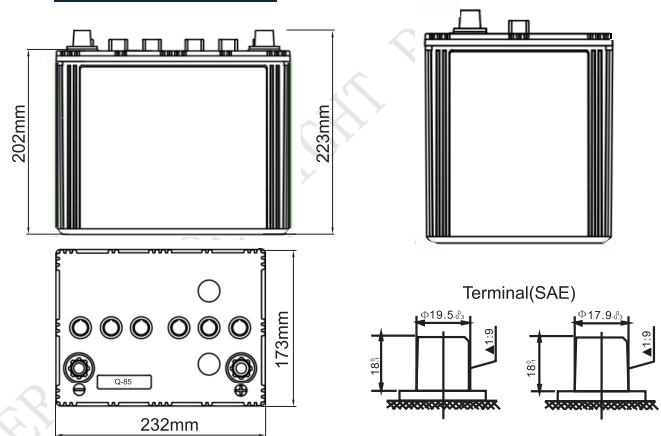


EFB batteries, specially designed for cars equipped with advanced start-stop systems. The range includes DIN style maintenance free batteries for popular European vehicles, plus low maintenance flooded batteries for Asian manufactured vehicles. EFB battery uses a new type of alloy, new lead paste formula, and new separator, which make service life, water loss, low temperature starting and other aspects of EFB battery have been greatly improved. It has long cycle life, high starting power in low temperature, suitable for frequent starting.



Dimensions



General Features

- Ultra-low internal resistance separator to reduce battery self-discharge
- Strongest starting burst, low temperature, or low state of charge can still start the engine
- Durable grid design, less water loss, prolonging the service life in a high-temperature environment
- Using high conductive lead alloy casting and welding, through-wall welding technology, high current starting performance is good
- 2x higher cycling endurance

Compliant Standards

- EN 50342
- GB/T5008.1-2013
- JB/T 12666
- ISO45001, ISO9001 and ISO14001 certified production facilities

Specifications

Nominal Voltage	12V
20Hr Capacity @25°C(77°F)	60Ah
Reserve Capacity (25A)	100min
CCA(EN)	610A
Weight	17.3kg
Dimension(L*W*H/TH)	232*173*202*223mm
Operating Temperature	-30°C ~ 70°C
Acceptable Charging Current	15.0A
Charging Voltage @25°C(77°F)	14.4V ~ 15.0V
Self-Discharge @25°C(77°F)	≤3% per month
Case Material	Reinforced PP
Terminal	SAE